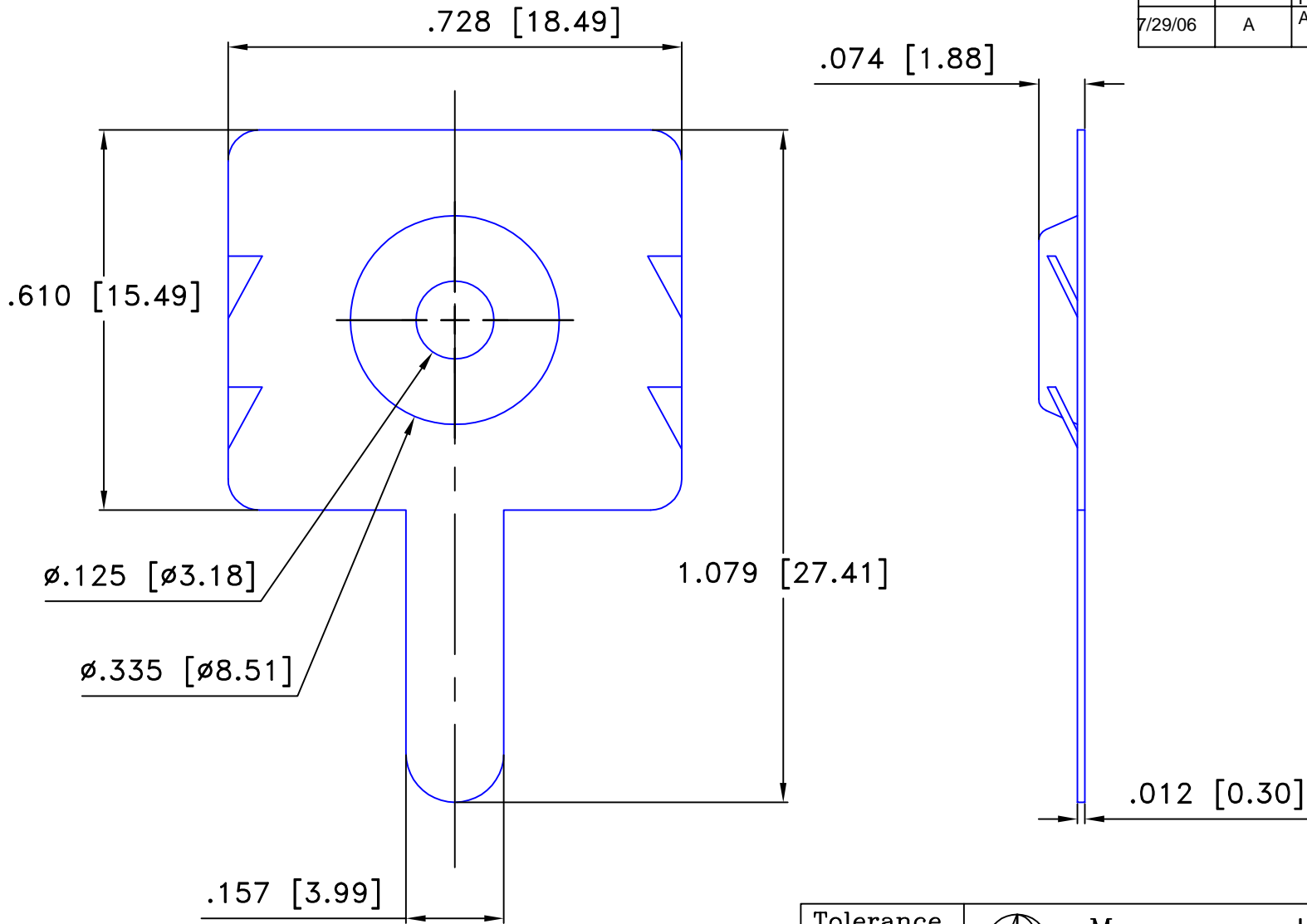



Date	SYM	REVISION RECORD	AUTH	DR.	CK.
03/15/03	A	TIN PLATED WAS NICKEL PLATED	T.B.	B.S.	
7/29/06	A	ADDED "ROHS COMPLIANT"	T.B.	B.S.	



MATERIAL:

STEEL, 0.3mm (0.012") THICK. TIN PLATED
ROHS COMPLIANT

Tolerance (Except as noted)	 Memory protection Devices, Inc 200 Broad Hollow Road, Farmingdale, New York 11735		
decimal $\pm .5$ (.020)		Scale 4=1	Drawn By T.S. Approved By T.B.
Fractional $\pm .8$ (.030)	Title SNT8 C CELL BATTERY CONTACT		
Angular $\pm 3^\circ$	Date 7/29/06	Drawing Number SNT8-1	